

MAGNOMATIC

PRISMA PAR 50



User Manual

©2021 MAGMATIC EFFECTS all rights reserved. Information, specifications, diagrams, images, and instructions herein are subject to change without notice. MAGMATIC EFFECTS logo and identifying product names and numbers herein are trademarks of MAGMATIC EFFECTS. Copyright protection claimed includes all forms and matters of copyrightable materials and information now allowed by statutory or judicial law or hereinafter granted. Product names used in this document may be trademarks or registered trademarks of their respective companies and are hereby acknowledged. All non-MAGMATIC brands and product names are trademarks or registered trademarks of their respective companies.

MAGMATIC EFFECTS and all affiliated companies hereby disclaim any and all liabilities for property, equipment, building, and electrical damages, injuries to any persons, and direct or indirect economic loss associated with the use or reliance of any information contained within this document, and/or as a result of the improper, unsafe, insufficient and negligent assembly, installation, rigging, and operation of this product.

MAGMATIC EFFECTS | 6122 S. Eastern Ave. | Los Angeles, CA. 90040
323-582-3322 | 323-832-9142 fax | www.elationlighting.com | sales@magmaticeffects.com

Elation Professional B.V. | Junostraat 2 | 6468 EW Kerkrade, The Netherlands
+31 45 546 85 66 | +31 45 546 85 96 fax | www.elationlighting.eu | info@elationlighting.eu

Elation Professional Mexico | AC Santa Ana 30 | Parque Industrial Lerma, Lerma, Mexico 52000
+52 (728) 282-7070

! CAUTION

HIGH INTENSITY ULTRAVIOLET LIGHT



AVOID DIRECT EYE & SKIN EXPOSURE.
WEAR PROPER EYE & SKIN PROTECTION.
SEE MANUAL FOR SAFETY INSTRUCTIONS.

RISK GROUP 3 - RISK OF EXPOSURE TO ULTRAVIOLET (UV) RADIATION!

FIXTURE EMITS HIGH INTENSITY WAVELENGTH OF ULTRAVIOLET LIGHT

WEAR PROPER EYE AND SKIN PROTECTION.

DO NOT OPERATE FIXTURE WITH DAMAGED/MISSING EXTERNAL COVER PROTECTIVE LENS.

DO NOT LOOK DIRECTLY INTO THE (UV) LIGHT AND/OR VIEW (UV) LIGHT DIRECTLY WITH OPTICAL INSTRUMENTS THAT MAY CONCENTRATE THE LIGHT/RADIATION OUTPUT.

AVOID PROLONGED PERIODS OF EXPOSURE.

AVOID WEARING WHITE COLOR CLOTHING AND/OR USING (UV) PAINTS ON SKIN.

AVOID DIRECT EYE AND/OR SKIN EXPOSURE AT DISTANCES SHORTER THAN 11 feet (3.3m).

INDIVIDUALS SUFFERING FROM A RANGE OF EYE CONDITIONS, SUNLIGHT EXPOSURE DISORDERS, OR INDIVIDUALS USING PHOTSENSITIVE MEDICATION, MAY RECEIVE DISCOMFORT IF EXPOSED TO THE ULTRAVIOLET (UV) LIGHT EMITTED FROM THIS FIXTURE.

DOCUMENT VERSION



Due to additional product features and/or enhancements, an updated version of this document may be available online.

Please check www.elationlighting.com for the latest revision/update of this manual before beginning installation and/or programming.

Date	Document Version	Software Version ≥	DMX Channel Modes	Notes
06/15/2020	1.0	1.01	1 / 2 / 3 / 6	Initial Release
10/14/2020	1.1	1.03	1 / 2 / 3 / 6	Updated Primary/Secondary
05/26/2021	1.2	1.03	1 / 2 / 3 / 6	Updated Installation Height

CONTENTS

General Information	4
Limited Warranty (USA Only)	5
Warranty Returns (USA Only)	7
Safety Guidelines	9
Fixture Overview	10
Installation Instructions	11
System Menu	13
DMX Traits: Channel Functions & Values	15
Dimmer Modes	18
Specifications	19
Dimensions	20

GENERAL INFORMATION

INTRODUCTION

Please read and understand the instructions in this manual carefully and thoroughly before attempting to operate this device. These instructions contain important safety and use information.

This product is intended for use by professionally trained personnel only, and is not suitable for private use.

Unpacking

Every device has been thoroughly tested and has been shipped in perfect operating condition. Carefully check the shipping carton for damage that may have occurred during shipping. If the carton is damaged, carefully inspect the device for damage, and be sure all accessories necessary to install and operate the device have arrived intact. In the event damage has been found or parts are missing, please contact our customer support team for further instructions. Please do not return this device to your dealer without first contacting customer support. Please do not discard the shipping carton in the trash. Please recycle whenever possible.

BOX CONTENTS

Mounting Bracket (x1)

Locking Power Cable (x1)

Customer SUPPORT

Contact MAGMATIC Service for any product related service and support needs.

Also visit forums.elationlighting.com with questions, comments or suggestions.

ELATION SERVICE USA - Monday - Friday 8:00am to 4:30pm PST

323-582-3322 | Fax 323-832-9142 | support@elationlighting.com

ELATION SERVICE EUROPE - Monday - Friday 08:30 to 17:00 CET

+31 45 546 85 63 | Fax +31 45 546 85 96 | support@elationlighting.eu

REPLACEMENT PARTS please visit parts.elationlighting.com



IMPORTANT NOTICE!

THERE ARE NO USER SERVICEABLE PARTS INSIDE THIS UNIT.

DO NOT ATTEMPT ANY REPAIRS YOURSELF; DOING SO WILL VOID YOUR MANUFACTURER'S WARRANTY. DAMAGES RESULTING FROM MODIFICATIONS TO THIS FIXTURE AND/OR THE DISREGARD OF SAFETY INSTRUCTIONS AND GUIDELINES IN THIS MANUAL VOID THE MANUFACTURER'S WARRANTY AND ARE NOT SUBJECT TO WARRANTY CLAIMS AND/OR REPAIRS.

LIMITED WARRANTY (USA ONLY)

- A. Magmatic Effects hereby warrants, to the original purchaser, Magmatic products to be free of manufacturing defects in material and workmanship for a period of two years (730 days) from the original date of purchase. This warranty excludes discharge lamps and all product accessories. This warranty shall be valid only if the product is purchased within the United States of America, including possessions and territories. It is the owner's responsibility to establish the date and place of purchase by acceptable evidence, at the time service is sought.
- B. For warranty service, send the product only to the Magmatic Effects factory. All shipping charges must be pre-paid. If the requested repairs or service (including parts replacement) are within the terms of this warranty, Magmatic Effects will pay return shipping charges only to a designated point within the United States. If any product is sent, it must be shipped in its original package and packaging material. No accessories should be shipped with the product. If any accessories are shipped with the product, Magmatic Effects shall have no liability what so ever for loss and/or or damage to any such accessories, nor for the safe return thereof.
- C. This warranty is void if the product serial number and/or labels are altered or removed; if the product is modified in any manner which Magmatic Effects concludes, after inspection, affects the reliability of the product; if the product has been repaired or serviced by anyone other than the Magmatic Effects factory unless prior written authorization was issued to purchaser by Magmatic Effects; if the product is damaged because not properly maintained as set forth in the product instructions, guidelines and/or user manual.
- D. This is not a service contract, and this warranty does not include any maintenance, cleaning or periodic check-up. During the periods as specified above, Magmatic Effects will replace defective parts at its expense, and will absorb all expenses for warranty service and repair labor by reason of defects in material or workmanship. The sole responsibility of Magmatic Effects under this warranty shall be limited to the repair of the product, or replacement thereof, including parts, at the sole discretion of Magmatic Effects. All products covered by this warranty were manufactured after January 1, 1990, and bear identifying marks to that effect.
- E. Magmatic Effects reserves the right to make changes in design and/or performance improvements upon its products without any obligation to include these changes in any products theretofore manufactured.
- F. No warranty, whether expressed or implied, is given or made with respect to any accessory supplied with the products described above. Except to the extent prohibited by applicable law, all implied warranties made by Magmatic Effects in connection with this product, including warranties of merchantability or fitness, are limited in duration to the warranty periods set forth above. And no warranties, whether expressed or implied, including warranties of merchantability or fitness, shall apply to this product after said periods have expired. The consumer's and/or dealer's sole remedy shall be such repair or replacement as is expressly provided above; and under no circumstances shall Magmatic Effects be liable for any loss and/or damage, direct and/or consequential, arising out of the use of, and/or the inability to use, this product.
- G. This warranty is the only written warranty applicable to Magmatic Effects products and supersedes all prior warranties and written descriptions of warranty terms and conditions heretofore published.

WARRANTY RETURNS (USA ONLY)

To obtain warranty service, a Return Material Authorization (RMA) number must first be obtained from MAGMATIC. It is the Customer's responsibility to provide product proof of purchase and serial number by acceptable evidence such as an invoice copy or an approved MAGMATIC Extended Warranty Certificate ("EWC") and any relevant maintenance records at the time warranty service is sought. Failure to provide acceptable evidence of product proof of purchase or EWC and any relevant maintenance records may be cause for denial of warranty service.

Products returned for warranty service must be sent without any accessories (i.e., power, data, and safety cables, brackets, clamps, rigging hardware, frost filters, gel frames, barn doors, lenses, hoses, nozzles, rack mounting hardware, etc.), must be boxed using the original and/or suitable packaging materials (double-box and foam) that provides ample product protection for ground and/or air freight transit, and must be shipped freight pre-paid and insured to MAGMATIC in Los Angeles, CA or a MAGMATIC Authorized Service Center. The RMA number must be clearly written on the outside of the return box, and a brief description of the problem and the RMA number must be documented and included in the box.

Products returned for warranty service without an RMA number clearly marked on the outside of the package will be refused and returned to the shipper at the Customer's expense. Products returned for warranty service, which are received damaged due to inadequate and/or improper packaging and/or due to damage caused by the shipping carrier, may incur additional repair charges before warranty service begins and/or may void this warranty. If any product accessories (included and/or optional) are shipped with the product, MAGMATIC and/or the MAGMATIC Authorized Service Center shall have no liability what so ever for the loss and/or damage to any such accessories, nor the safe return thereof. If the requested warranty repairs or service (including parts replacement) are within the terms of this warranty, MAGMATIC will pay return ground transportation shipping charges to a single designated point within the United States.

SAFETY GUIDELINES

This fixture is a sophisticated piece of electronic equipment. To guarantee smooth operation, it is important to follow all instructions and guidelines in this manual. Magmatic Effects is not responsible for injury and/or damages resulting from the misuse of this fixture due to the disregard of the information printed in this manual. Only qualified and/or certified personnel should perform installation of this fixture and only the original rigging parts included with this fixture should be used for installation. Any modifications to the fixture and/or the included mounting hardware will void the original manufacturer's warranty and increase the risk of damage and/or personal injury.



PROTECTION CLASS 1 - FIXTURE MUST BE PROPERLY GROUNDED

There are no user serviceable parts inside this unit.



Do not attempt any repairs yourself; doing so will void your manufacturer's warranty. Damages resulting from modifications to this fixture and/or the disregard of safety instructions and guidelines in this manual void the manufacturer's warranty and are not subject to any warranty claims and/or repairs.



**DO NOT PLUG FIXTURE INTO A DIMMER PACK!
NEVER OPEN THIS FIXTURE WHILE IN USE!
UNPLUG POWER BEFORE SERVICING FIXTURE!
NEVER TOUCH FIXTURE DURING OPERATION, AS IT MAY BE HOT!
KEEP FLAMMABLE MATERIALS AWAY FROM FIXTURE!**



**NEVER LOOK DIRECTLY INTO THE LIGHT SOURCE!
RETINA INJURY RISK - MAY INDUCE BLINDNESS!
SENSITIVE PERSONS MAY SUFFER AN EPILEPTIC SHOCK!**



FIXTURE IS DUST TIGHT AND PROTECTED AGAINST LOW PRESSURE WATER JETS IN ANY DIRECTION

SAFETY GUIDELINES

DO NOT TOUCH the fixture housing during operation. Turn OFF the power and allow approximately 15 minutes for the fixture to cool down before serving.

DO NOT shake fixture, and avoid brute force when installing and/or operating fixture.

DO NOT operate fixture if the power cord is frayed, crimped, damaged and/or if any of the power cord connectors are damaged and do not insert into the fixture securely with ease. **NEVER** force a power cord connector into the fixture. If the power cord or any of its connectors are damaged, replace it immediately with a new one of similar power rating.

DO NOT block any air ventilation slots.

All fan and air inlets must remain clean and never blocked.

Allow approx. 6" (15cm) between fixture and other devices or a wall for proper cooling.

When installing fixture in a suspended environment, always use mounting hardware that is no less than M10 x 25 mm, and always install fixture with an appropriately rated safety cable.

Always disconnect fixture from main power source before performing any type of service and/or cleaning procedure. Only handle the power cord by the plug end, never pull out the plug by tugging the wire portion of the cord.

During the initial operation of this fixture, a light smoke or smell may emit from the interior of the fixture. This is a normal process and is caused by excess paint in the interior of the casing burning off from the heat associated with the lamp and will decrease gradually over time.

Consistent operational breaks will ensure fixture will function properly for many years.

ONLY use the original packaging and materials to transport the fixture for service.



**HIGH
INTENSITY
ULTRAVIOLET
LIGHT**



AVOID DIRECT EYE & SKIN EXPOSURE.
WEAR PROPER EYE & SKIN PROTECTION.
SEE MANUAL FOR SAFETY INSTRUCTIONS.

**RISK GROUP 3 - RISK OF EXPOSURE TO
ULTRAVIOLET (UV) RADIATION!**

**FIXTURE EMITS HIGH INTENSITY WAVELENGTH OF
ULTRAVIOLET LIGHT**

WEAR PROPER EYE AND SKIN PROTECTION.

**DO NOT OPERATE FIXTURE WITH DAMAGED/
MISSING EXTERNAL COVER PROTECTIVE LENS.**

**DO NOT LOOK DIRECTLY INTO THE (UV) LIGHT
AND/OR VIEW (UV) LIGHT DIRECTLY WITH
OPTICAL INSTRUMENTS THAT MAY CONCENTRATE
THE LIGHT/RADIATION OUTPUT.**

AVOID PROLONGED PERIODS OF EXPOSURE.

AVOID WEARING WHITE COLOR CLOTHING AND/OR USING (UV) PAINTS ON SKIN.

AVOID DIRECT EYE AND/OR SKIN EXPOSURE AT DISTANCES SHORTER THAN 11 feet (3.3m).

**INDIVIDUALS SUFFERING FROM A RANGE OF EYE CONDITIONS, SUNLIGHT EXPOSURE
DISORDERS, OR INDIVIDUALS USING PHOTSENSITIVE MEDICATION, MAY RECEIVE
DISCOMFORT IF EXPOSED TO THE ULTRAVIOLET (UV) LIGHT EMITTED FROM THIS FIXTURE.**

MAINTENANCE GUIDELINES



DISCONNECT POWER BEFORE PERFORMING ANY MAINTENANCE!

CLEANING

Frequent cleaning is recommended to ensure proper function, optimized light output, and an extended life. The frequency of cleaning depends on the environment in which the fixture operates: damp, smoky, or particularly dirty environments can cause greater accumulation of dirt on the fixture's optics. Clean the external lens surface periodically with a soft cloth to avoid dirt/debris accumulation.

NEVER use alcohol, solvents, or ammonia-based cleaners.

MAINTENANCE

Regular inspections are recommended to ensure proper function and extended life.

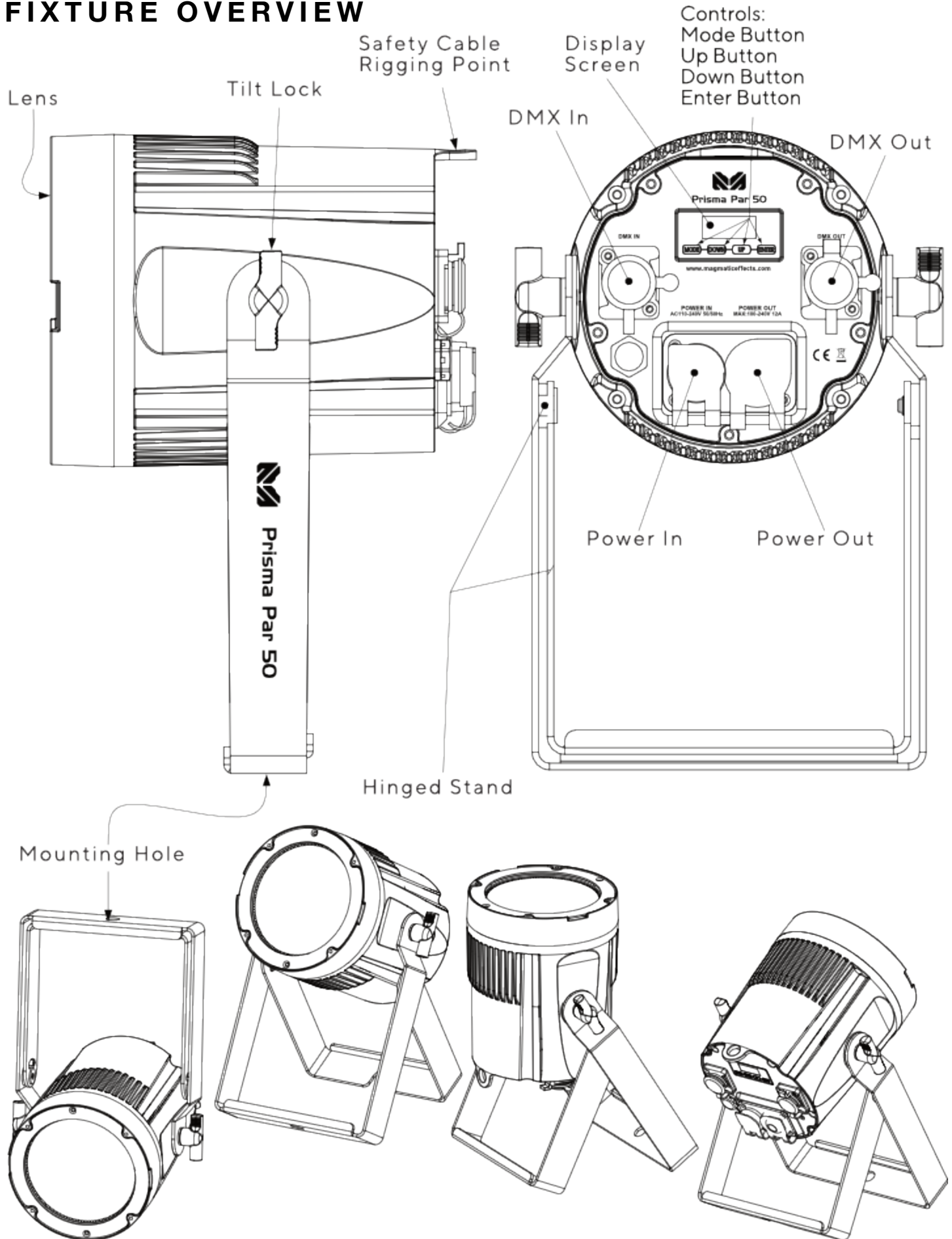
There are no user serviceable parts inside this fixture, please refer all other service issues to an authorized MAGMATIC service technician. Should you need any spare parts, please order genuine parts from your local MAGMATIC dealer.

Please refer to the following points during routine inspections:

- A detailed electrical check by an approved electrical engineer every three months, to make sure the circuit contacts are in good condition in order to prevent overheating.
- Be sure all screws and fasteners are securely tightened at all times. Loose screws may fall out during normal operation, resulting in damage or injury as larger parts could fall.
- Check for any deformations on the housing, color lenses, rigging hardware, and rigging points (ceiling, suspension, trussing). Deformations in the housing could allow for dust or liquids to enter into the fixture. Damaged rigging points or unsecured rigging could cause the fixture to fall and seriously injure a person(s).
- Electric power supply cables must not show any damage, material fatigue, or sediments.

NEVER remove the ground prong from the power cable.

FIXTURE OVERVIEW



INSTALLATION INSTRUCTIONS



FLAMMABLE MATERIAL WARNING

Keep fixture minimum 5.0 feet (1.5m) away from flammable materials and/or pyrotechnics.



ELECTRICAL CONNECTIONS

A qualified electrician should be used for all electrical connections and/or installations.



USE CAUTION WHEN POWER LINKING OTHER MODEL FIXTURES AS THE POWER CONSUMPTION OF OTHER MODEL FIXTURES MAY EXCEED THE MAX POWER OUTPUT ON THIS FIXTURE. CHECK SILK SCREEN FOR MAX AMPS.



DO NOT INSTALL THE FIXTURE IF YOU ARE NOT QUALIFIED TO DO SO!



THE INSTALLATION HEIGHT SHOULD BE ABOVE 3-METERS FROM THE GROUND!

Fixture **MUST** be installed following all local, national, and country commercial electrical and construction codes and regulations.

Before rigging/mounting a single fixture or multiple interconnected fixtures for custom matrix designs to any metal truss/structure or placing the fixture(s) on any surface, a professional equipment installer **MUST** be consulted to determine if the metal truss/structure or surface is properly certified to safely hold the combined weight of the fixture(s), clamps, cables, and accessories.

Ambient operating temperature range is from **14°F (-10°C) to 113°F (45°C)**.

Do not operate this fixture when ambient temperature falls outside this range.

Fixture(s) should be installed in areas outside walking paths, seating areas, or away from areas where unauthorized personnel might reach the fixture by hand.

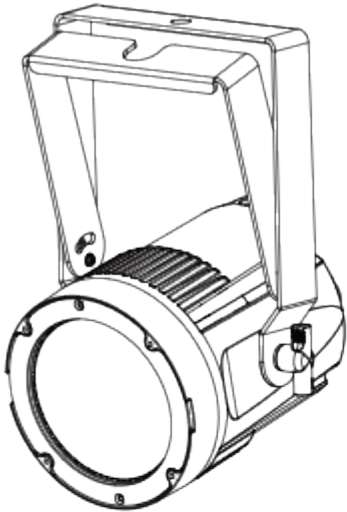
NEVER stand directly below the fixture(s) when rigging, removing, or servicing.

Overhead fixture installation must always be secured with a secondary safety attachment, such as an appropriately rated safety cable (not included) that meets all local, national, and country codes and regulations. Allow approximately 15 minutes for the fixture to cool down before servicing.

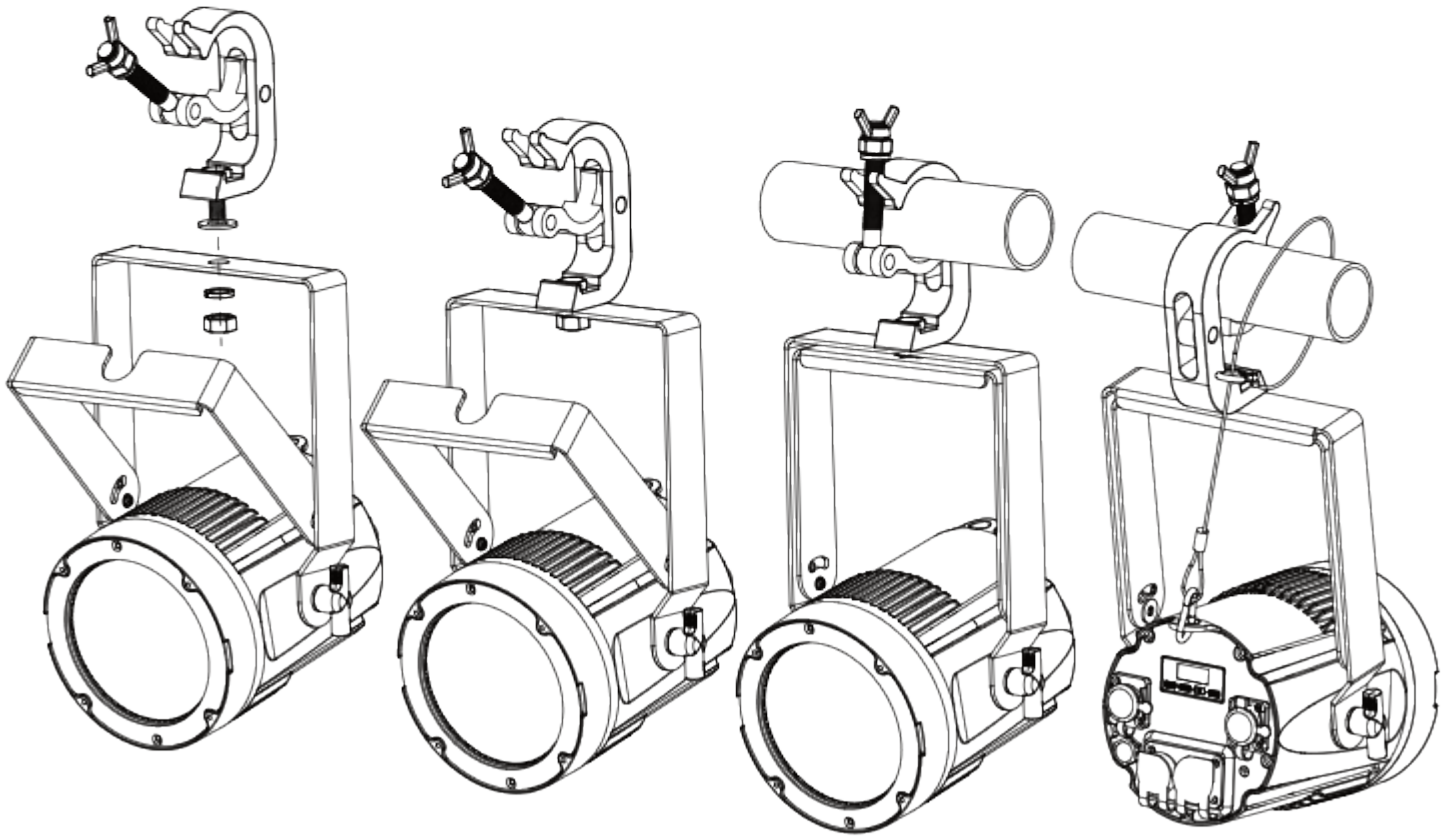
INSTALLATION INSTRUCTIONS

CLAMP INSTALLATION

This fixture features an integrated mounting point for the attachment of a truss clamp, as well as a safety cable rigging point, located on the underside of the fixture (see the illustration below). When mounting this fixture to a truss, be sure to secure an appropriately rated clamp (not included), and attach a separate **SAFETY CABLE** of the appropriate rating to the safety cable rigging point.



SAFETY CABLE
ALWAYS ATTACH A SAFETY CABLE WHENEVER
INSTALLING THIS FIXTURE IN A SUSPENDED
ENVIRONMENT TO ENSURE THE FIXTURE WILL
NOT FALL IF THE CLAMP FAILS.



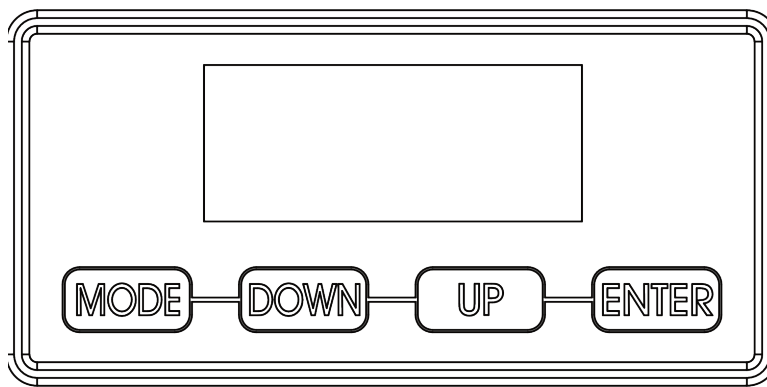
RIGGING

Overhead rigging requires extensive experience, including but not limited to: calculating working load limits, understanding the installation material being used, and periodic safety inspection of all installation material and the fixture. If you lack these qualifications, do not attempt the installation yourself. Improper installation can result in bodily injury.

SYSTEM MENU

The fixture includes an easy to navigate system menu. The control panel (see image below) located on the fixture provides access to the main system menu, where all necessary system adjustments can be made. During normal operation, pressing **MODE** button once will access the fixture's main menu. Once in the main menu you can navigate through the different functions and access the sub-menus with the **UP** and **DOWN** buttons. Once you reach a field that requires adjusting, press the **ENTER** button to activate that field and use the **UP** and **DOWN** buttons to adjust the field. Pressing the **ENTER** button once more will confirm your setting. You may exit the main menu at any time without making any adjustments by pressing the **MODE** button.

The display screen will automatically time out after 30 seconds of inactivity. To unlock the display screen, simply press and hold the **MODE** until the display screen unlocks.



SYSTEM MENU

Magmatic Prisma PAR 50 System Menu				
Default setting shown in bold				
Supports Software Versions: 1.03				
Address	Address XXX	001 - 510		
Mode	1CH, 2CH, 3CH, 6 CH			
Function	NO DMX	Black / Hold		
	LCD. Set	Display (30s screen time out)	ON /OFF	
		Key Lock	ON/ON1/ OFF	
		Flash	ON /OFF	
		Inverse	ON /OFF	
	Temp. °C/°F	Celsius / Fahrenheit		Temperature °C/°F
	DimMode	Standard , Stage, TV, Architect, Theatre, Stage2, 0.0s, 0.1s, 0.2s, 0.3s, 0.4s, 0.5s, 0.6s, 0.7s, 0.8s, 0.9s, 1.0s, 1.5s, 2.0s, 3.0s, 4.0s, 5.0s, 6.0s, 7.0s, 8.0s, 9.0s, 10.0s		
	DimCurve	Linear , Square, I-Square, S-Curve		
	Frequency	900HZ, 910HZ, 920HZ, 930HZ, 940HZ, 950HZ, 960HZ, 970HZ, 980HZ, 990HZ, 1000HZ, 1010HZ, 1020HZ, 1030HZ, 1040HZ, 1050HZ, 1060HZ, 1070HZ, 1080HZ, 1090HZ, 1100HZ, 1110HZ, 1120HZ, 1130HZ, 1140HZ, 1150HZ, 1160HZ, 1170HZ, 1180HZ, 1190HZ, 1200HZ , 1210HZ, 1220HZ, 1230HZ, 1240HZ, 1250HZ, 1260HZ, 1270HZ, 1280HZ, 1290HZ, 1300HZ, 1310HZ, 1320HZ, 1330HZ, 1340HZ, 1350HZ, 1360HZ, 1370HZ, 1380HZ, 1390HZ, 1400HZ, 1410HZ, 1420HZ, 1430HZ, 1440HZ, 1450HZ, 1460HZ, 1470HZ, 1480HZ, 1480HZ, 1490HZ, 1500HZ, 2500HZ, 4000HZ, 5000HZ, 6000HZ, 10KHZ, 15KHZ, 20KHZ, 25KHZ		
	Primary Switch	ON/ OFF		
	Defaults	Reset?/ Cancel		
Information	Time. Info	Current	Current fixture running time (H)	
		Last	Fixture total running time (H)	
		Total	Clear last fixture running time (H)	
		Password	Clear 0 (Password=50)	
		Clear	ON/ OFF	Clear 0 (Password=60)
	Temp. Info	LED Temp		
	Model. Info	V1.03		
	Software	Prisma Par 50		
Error. Info	None, XXX			
Secondary			Secondary Mode	
Manual	Dimmer	000 -255		
	UV	000 -255		
	Strobe	000 -255		
Calibration	-Password-(50)			

DMX TRAITS: CHANNEL FUNCTIONS & VALUES

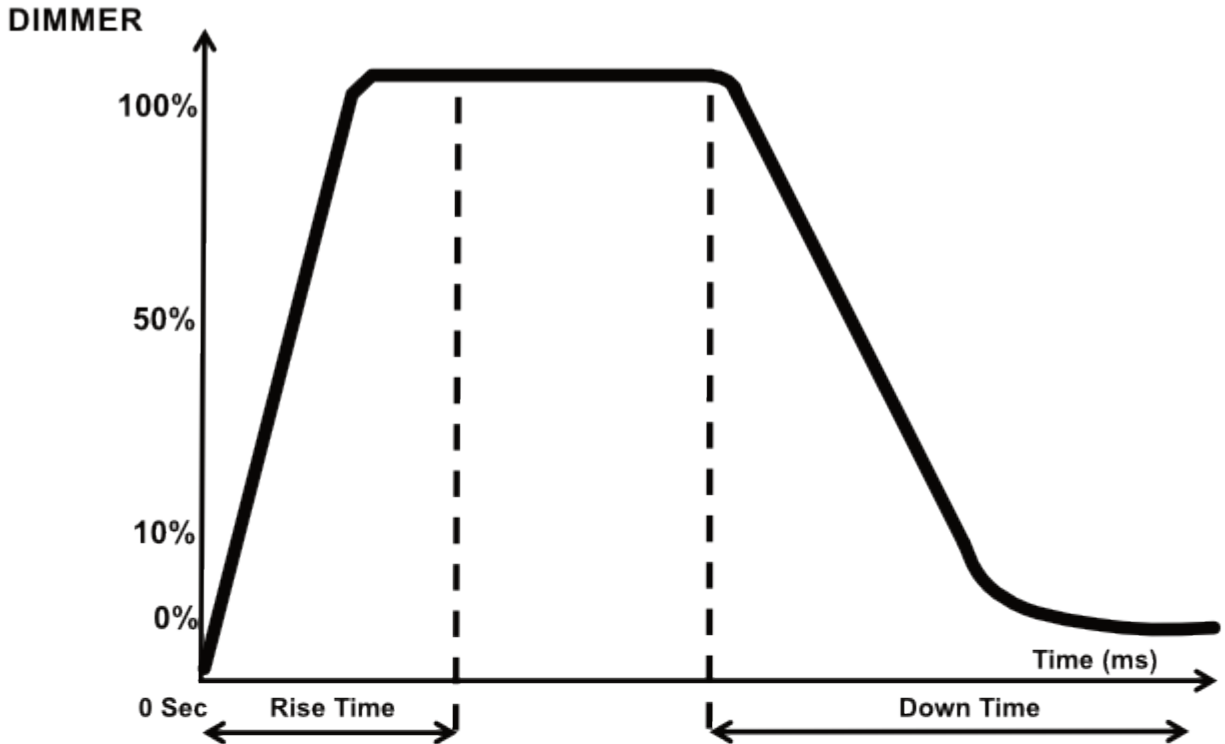
MAGMATIC PRISMA PAR 50™ DMX Channel Values / Functions					
Supports Software Versions: 1.03					
Features subject to change without notice.					
Mode/Channel				Value	Function
1CH	2CH	3CH	6CH		
		1	1		Strobe
				000-031	LED OFF
				032-063	LED ON
				064-095	Strobe effect slow to fast
				096-127	LED ON
				128-159	Pulse-strobe effect slow to fast
				160-191	LED ON
				192-223	Random strobe effect slow to fast
				224-255	LED ON
1	1	2	2		Dimmer
				000-255	0 to 100%
	2	3	3		Dimmer Fine
				000-255	0 to 100%
			4		Dim Mode
				000-020	Standard
				021-040	Stage
				041-060	TV
				061-080	Architectural
				081-100	Theatre
				101-120	Stage2
					Dimmer Delay Time
				121	0.0s
				122	0.1s
				123	0.2s
				124	0.3s
				125	0.4s
				126	0.5s
				127	0.6s
				128	0.7s
				129	0.8s
				130	0.9s
				131	1.0s
				132	1.5s
				133	2.0s
				134	3.0s
				135	4.0s
				136	5.0s
				137	6.0s
				138	7.0s
				139	8.0s
140	9.0s				
141	10s				
	142-255	Default to the unit display setting			

Mode/Channel				Value	Function
1CH	2CH	3CH	6CH		
			5		Dim Curves
				000-020	Linear
				021-040	Square
				041-060	Inv. Squa
				061-080	S. Curve
				081-255	No Function
			6		LED Refresh Rates
				000-010	No function (Default LED Refresh Rate 1200 Hz)
				011-011	900 Hz LED Refresh Rate
				012-012	910 Hz LED Refresh Rate
				013-013	920 Hz LED Refresh Rate
				014-014	930 Hz LED Refresh Rate
				015-015	940 Hz LED Refresh Rate
				016-016	950 Hz LED Refresh Rate
				017-017	960 Hz LED Refresh Rate
				018-018	970 Hz LED Refresh Rate
				019-019	980 Hz LED Refresh Rate
				020-020	990 Hz LED Refresh Rate
				021-021	1000 Hz LED Refresh Rate
				022-022	1010 Hz LED Refresh Rate
				023-023	1020 Hz LED Refresh Rate
				024-024	1030 Hz LED Refresh Rate
				025-025	1040 Hz LED Refresh Rate
				026-026	1050 Hz LED Refresh Rate
				027-027	1060 Hz LED Refresh Rate
				028-028	1070 Hz LED Refresh Rate
				000-029	1080 Hz LED Refresh Rate
				030-030	1090 Hz LED Refresh Rate
				031-031	1100 Hz LED Refresh Rate
				032-032	1110 Hz LED Refresh Rate
				033-033	1120 Hz LED Refresh Rate
				034-034	1130 Hz LED Refresh Rate
				035-035	1140 Hz LED Refresh Rate
				036-036	1150 Hz LED Refresh Rate
				037-037	1160 Hz LED Refresh Rate
				038-038	1170 Hz LED Refresh Rate
				039-039	1180 Hz LED Refresh Rate
				040-040	1190 Hz LED Refresh Rate
				041-041	1210 Hz LED Refresh Rate
				042-042	1220 Hz LED Refresh Rate
			043-043	1230 Hz LED Refresh Rate	
			044-044	1240 Hz LED Refresh Rate	
			045-045	1250 Hz LED Refresh Rate	
			046-046	1260 Hz LED Refresh Rate	
			047-047	1270 Hz LED Refresh Rate	
			048-048	1280 Hz LED Refresh Rate	
			049-049	1290 Hz LED Refresh Rate	
			050-050	1300 Hz LED Refresh Rate	
			051-051	1310 Hz LED Refresh Rate	
			052-052	1320 Hz LED Refresh Rate	

Mode/Channel				Value	Function
1CH	2CH	3CH	6CH		
			6	053-053	1330 Hz LED Refresh Rate
				054-054	1340 Hz LED Refresh Rate
				055-055	1350 Hz LED Refresh Rate
				056-056	1360 Hz LED Refresh Rate
				057-057	1370 Hz LED Refresh Rate
				058-058	1380 Hz LED Refresh Rate
				059-059	1390 Hz LED Refresh Rate
				060-060	1400 Hz LED Refresh Rate
				061-061	1410 Hz LED Refresh Rate
				062-062	1420 Hz LED Refresh Rate
				063-063	1430 Hz LED Refresh Rate
				064-064	1440 Hz LED Refresh Rate
				065-065	1450 Hz LED Refresh Rate
				066-066	1460 Hz LED Refresh Rate
				067-067	1470 Hz LED Refresh Rate
				068-068	1480 Hz LED Refresh Rate
				069-069	1490 Hz LED Refresh Rate
				070-070	1500 Hz LED Refresh Rate
				071-071	2500 Hz LED Refresh Rate
				072-072	4000 Hz LED Refresh Rate
				073-073	5000 Hz LED Refresh Rate
				074-074	6000 Hz LED Refresh Rate
				075-075	10K Hz LED Refresh Rate
				076-076	15K Hz LED Refresh Rate
				077-077	20K Hz LED Refresh Rate
				078-078	25K Hz LED Refresh Rate
				079-255	No Function

DMX TRAITS: CHANNEL FUNCTIONS & VALUES

Select desired DIMMER MODE (Standard, Stage, TV, Architectural, Theatre, Stage2).



Dimming Curve Ramp Effect	0 sec Fade Time		1 sec Fade Time	
	Rise Time (ms)	Down Time (ms)	Rise Time (ms)	Down Time (ms)
Standard (default)	0	0	0	0
Stage	780	1100	1540	1660
TV	1180	1520	1860	1940
Architectural	1380	1730	2040	2120
Theatre	1580	1940	2230	2280
Stage 2	0	1100	0	1660

ERROR CODE

If the fixture temperature reaches 100°C or higher, then it will display "Temperature Error", which can be found under "System Menu Information" → "Error Info." → "Temperature Error".

TORQUE SETTINGS

MODEL	Location	Standard Torque Setting Range (unit:kgf.cm)
PRISMA PAR 50	Fixing the LED PCB	3.4Kgf.cm-4.2Kgf.cm
	Fixing PSU	M3 screw torque4.6Kgf.cm-8.3Kgf.cm
	Fixing PSU	M4 screw torque5.8Kgf.cm-11.1Kgf.cm
	Fixing power sockets, dmx sockets	screwdriver torque3.8Kgf.cm-4.6Kgf.cm
	Fixing display pressing plate	M4 screw torque5.8Kgf.cm-11.1Kgf.cm
	Fixing display PCB	M3 screw torque2.3Kgf.cm-3.4Kgf.cm
	Fixing ground wiring	M4 screw torque:5.8Kgf.cm-11.1Kgf.cm
	Fixing reflector	M4 screw torque5.8Kgf.c-11.1Kgf.cm
	Lock front & back cover	M4 screw torque5.8Kgf.c-11.1Kgf.cm

SPECIFICATIONS

SOURCE

(16) 2W High Power UV Diode LEDs
20,000 Hour Average LED Life*

*Test lab conditions. May vary depending on several factors including but not limited to:
Environmental Conditions, Power/Voltage, Usage Patterns (On-Off Cycling), Control, and Dimming.

PHOTOMETRIC DATA

50 Degree Wide Beam Angle
365nm True UV Peak Wavelength

EFFECTS

High Speed Electronic Strobe
Variable Dimming Curve Modes

CONSTRUCTION

Rugged IP65 Rated Aluminum Housing
Dual Adjustable Mounting Yokes

CONTROL

Multiple DMX Channel Modes
Onboard 4 Button Touch Control Panel
DMX-512 and RDM Protocol Support

CONNECTIONS

Locking 5pin XLR Connector In/Out
IP65 Locking Power Connector In

SIZE / WEIGHT

Width: 7.55 in. (192mm)
Diameter: 5.9 in. (150mm)
Vertical Height: 12.37 in. (314.3mm)
Weight: 7.05 lbs. (3.2kg)

ELECTRICAL

AC100-240V 50-60Hz
37W Max Power Consumption

THERMAL

14°F to 113°F (-10°C to 45°C)
Air Cooled

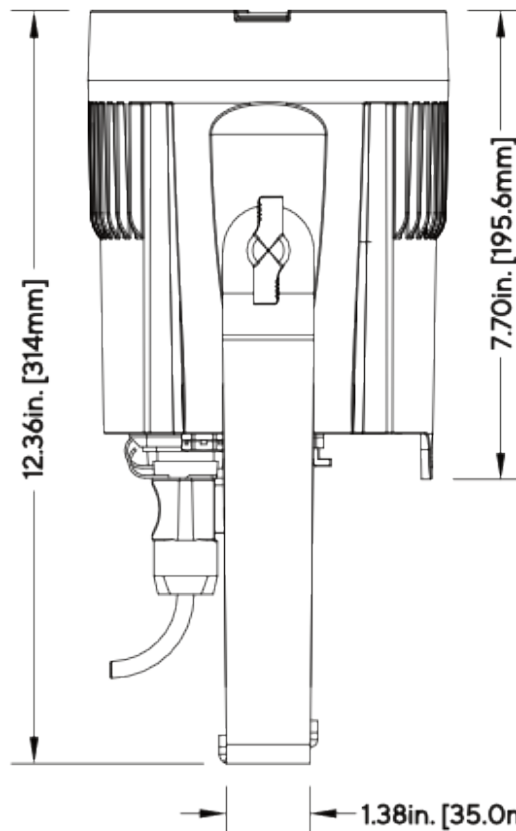
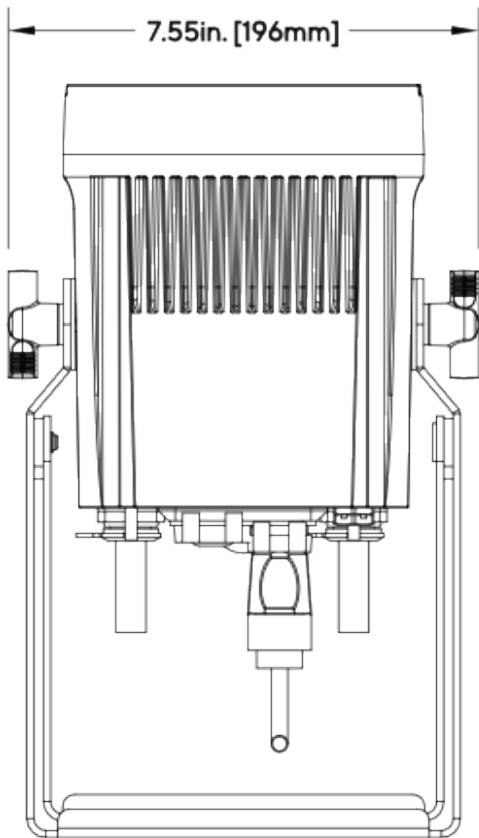
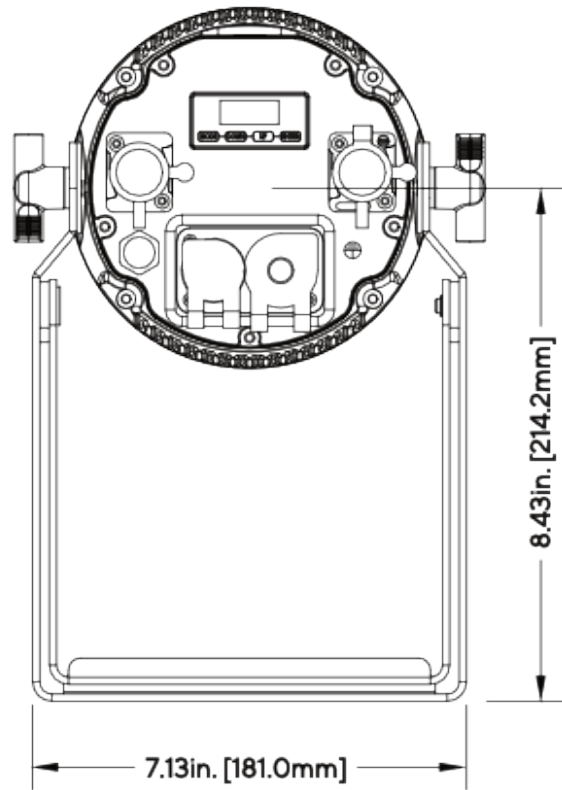
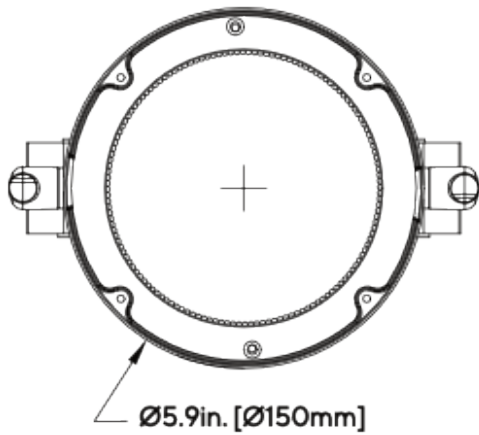
APPROVALS / RATINGS

CE | cETLus | IP65

Specifications and documentation subject to change without notice.

DIMENSIONAL DRAWINGS

Dimensions may not be drawn to scale.



ORDERING:

SKU#: PSP050
EU#: 1237000231
UPC#: 810008261156

OPTIONAL ACCESSORIES:

PRISMA WASH BLACK GLASS: PSG852

FCC STATEMENT

This device complies with Part 15 of the FCC Rules. Operation is subject to the following two conditions: (1) this device may not cause harmful interference, and (2) this device must accept any interference received, including interference that may cause undesired operation.

FCC RADIO FREQUENCY INTERFERENCE WARNINGS & INSTRUCTIONS

This product has been tested and found to comply with the limits as per Part 15 of the FCC Rules. These limits are designed to provide reasonable protection against harmful interference in a residential installation. This device uses and can radiate radio frequency energy and, if not installed and used in accordance with the included instructions, may cause harmful interference to radio communications. However, there is no guarantee that interference will not occur in a particular installation. If this device does cause harmful interference to radio or television reception, which can be determined by turning the device off and on, the user is encouraged to try to correct the interference by one or more of the following methods:

Reorient or relocate the device.

Increase the separation between the device and the receiver.

Connect the device to an electrical outlet on a circuit different from which the radio receiver is connected.

Consult the dealer or an experienced radio/TV technician for help.

Europe Energy Saving Notice

Energy Saving Matters (EuP 2009/125/EC)

Saving electric energy is a key to help protecting the environment. Please turn off all electrical products when they are not in use. To avoid power consumption in idle mode, disconnect all electrical equipment from power when not in use. Thank you

